

PHOENIX Series

Configurable Lightbars



Sign options

- Central illuminated sign (front or rear) or reflector (front or rear).
- Fixed screen-printed message, according to available colours and messages, on opal panel installed inside the lightbar. Three standard lengths.
- SmartSign programmable LED sign with 200 user-programmable messages (means of TPL700 or SmartSign Message Editor). Front or rear sign. Red lens. (See BP ref. P2075004)



Central illuminated sign

Directional warning (SignalMaster)

- SignalMaster, halogen, six or eight modules, 12V or 24V.
- SignalMaster, halogen, Kontrol Series, six or eight modules, control head, 12V or 24V.
- SignalMaster, Sputnik LED, six or eight modules, amber, upper, middle or lower position, 12V or 24V.
- SignalMaster, Sputnik LED, Kontrol Series, six or eight modules, amber, control head, upper, middle or lower position, 12V or 24V.

Connection options

- Wiring harness (standard).
- Roof connector, 23 Ways.



Roof connector

Mount accessories

Vehicle roof mounting systems

- **Permanent roof mount**
Suitable for all vehicles.
- **Magnetic roof mount**
Suitable for lightbars of maximum 500 mm length.
- **Hook-on mount**
Contact with our sales Department for availability.
- **Mounting bracket kit according to vehicle roof curvature** (available in black or white colour)
Low plastic mounting bracket kit (for roof curvature of 26 mm or less).
High plastic mounting bracket kit (for roof curvature from 26 to 40 mm).



Permanent roof mount

Contact with our Sales Department for the different combinations.

PHOENIX Series



Phoenix Series, last generation and high efficiency lightbar.

The rounded design increases the efficiency of the priority lights, simultaneously it provides better watertightness and aerodynamics.

The Phoenix Series presents three different technologies for priority lights, all comply with R-65 European Regulation:

- **ROC Solaris:** Formed by a high-efficiency PC board with integrated microprocessor, 15 high-luminosity LED diodes of the latest generation, placed on the multivoltage (10-30V) PC board and a parabolic reflector that maximises the luminosity of the LEDs.
- **Strobe:** has high-power strobe priority lights and power supply integrated in the lightbar.
- **Halogen:** Is made up of high-efficiency rotating halogen priority lights.

The Phoenix Series gives an extremely broad range of configuration options that meet even the most demanding needs and requirements.

Available lightbar lengths from 400 to 1800 mm.

The different roof mounting systems as well as watertight roof connector option provides a wide versatility.

Ideal installation for priority emergency warning (warning lights), complementary and acoustic warning of police vehicles, ambulances, medical services, firetrucks, rescue and other emergency vehicles.

Phoenix ROC Solaris Series LED priority lights lightbar



360° optical system

Two or four ROC Solaris rings multivoltage of 15 LEDs in 1 or 2 levels.

It's also possible to add two or four rings more (1 or 2 levels) in the middle of the lightbar.

Available colours: blue, amber and red.



Phoenix Strobe Series Strobe priority lights lightbar

360° optical system

Two xenon gas discharge lamps and FA-702B/DF power supply with lamp failure detection.

Directional optical system

Four xenon gas discharge lamps and FA-188/4DF power supply with lamp failure detection.

Available colours: blue, amber, red and green.



Phoenix Halogen Series Rotating halogen priority lights lightbar

360° optical system

Two independent belt-driven rotators (R-65 approved) or four rotators (R-65 not approved).

360° synchronised optical system

Two sets formed each one by two synchronized belt-driven rotators.

Available colours: blue, amber, red and green.



Cruise Light

Warning: In accordance with the Spanish General Regulation for vehicles, it is only allowed on police vehicles. The traffic authorities may question its use on other emergency vehicles.

For rest of other countries, consult the current national highway code. The local traffic authorities may question its use.

Mirrors. Phoenix Strobe, Halogen and ROC Solaris

These increase the luminosity of rotating halogen, strobe and Solaris priority lights, available in specific configurations.

Acoustic options

- 100W speaker integrated in the lightbar (available in black or white colour).
- 30W compact siren integrated in the lightbar with 16 available tones (Two Tones, Wail, Yelp, etc) or with tones for Germany and France.

Auxiliaries or secondaries lights options

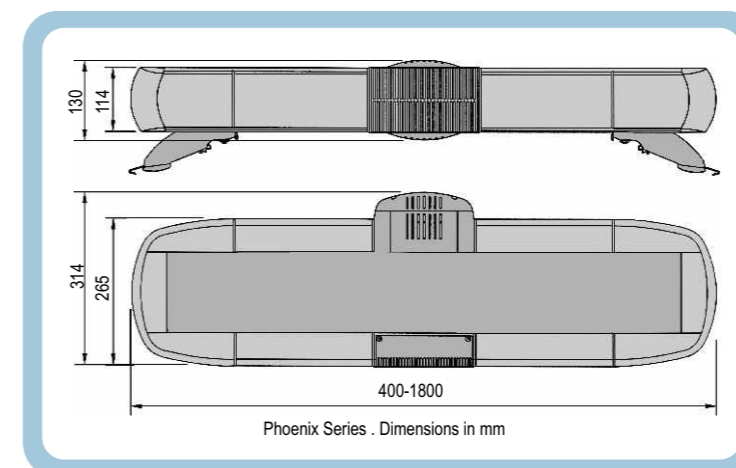
- Front halogen lights, 55W (12V) or 70W (24V).
- Front halogen lights, 55W, and LEDs Sputnik with "Stop Light" function.
- Rear halogen lights, 55W (12V) or 70W (24V), with flasher option.
- Alley halogen lights, 55W (12V) or 70W (24V) integrated in the lightbar.
- Rear and front strobe lights.
- Visibeam II, search light with remote control, 55W (12V), 100W (12V) or 65W (24V).
- 3W Sputnik LEDs modules, front or rear, steady burn or flashing mode, amber, blue, red and white.
- 3W Sputnik LEDs modules, front or rear, amber and blue.



Speaker integrated in the lightbar



Front halogen light



Approvals

Roc Solaris, Strobe and Halogen Phoenix Series in amber and blue colours comply with R-65 European Regulation.

All Phoenix Series comply with the European Directive 2004/104/CE (2006/28/CE) on Electromagnetic Compatibility. With IP Protection IP55.