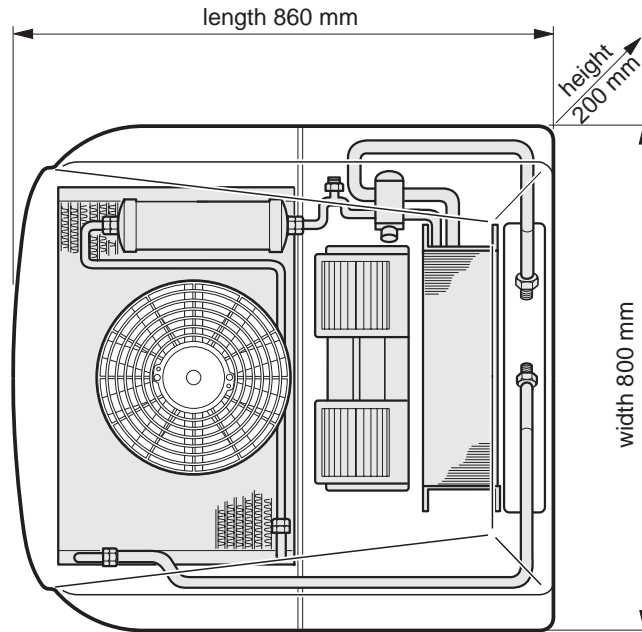


TA-1010 • 12V • p.n. 4500-010

TA-1011 • 24V • p.n. 4500-011



NOMINAL TECHNICAL DATA:

Cooling Capacity : 5 Kw

Working Voltage : 12V d.c. / 24V d.c.

Power Consumption : 22A - 12V / 11A - 24V

Airflow (at Zero Static Pressure) : 800 m³/h - 12V / 850 m³/h - 24V

Weight : 21.5 Kg

Recommended Compressor : Sanden SD7H15