



LM300 Sputnik Series

RECHARGEABLE MAGNETIC LED WARNING LIGHT

Federal Signal Vama presents the **LM300 Sputnik Series**, a high-intensity, low-consumption LED lights.

The LM300 Series has ten Sputnik LED diodes that distribute the light beam, provide 360° coverage and comply with the updated European Regulation R65 Category T.

The LM300 Series has models with two operating modes: by means rechargeable batteries or direct power supply with cigarette plug.

- Magnetic LED warning light, which has three magnets with anti-scratch silicone and three suction cups.
- Ten latest-generation 1-W LED diodes with blue or amber light and advanced optical design, high-intensity and low-consumption.
- Flash mode in compliance with European Regulation R65.
- Blue or amber-coloured lens manufactured in high-strength polycarbonate.
- (ON/OFF) switch and input for vehicle battery supply.
- Supply cable with cigarette-lighter connector.
- Metal plate for fixation inside the vehicle.
- Lamp failure sensor, optional accessory.
- Ideal unit for applications such as priority lights on undercover police, vehicles, armoured police or fire-fighting vehicles, and ambulances and service vehicles.
- 12 V power supply.



Luz de aviso Serie LM300 Sputnik azul

LM300 Sputnik Series

Approvals

LM300 Sputnik Series in blue colour is approved according to the R-65 European Regulation.
LM300 Sputnik Series comply with the European Directive 2004/104/CE on Electromagnetic Compatibility.

LM300 Sputnik Series models

LM300 Sputnik

Autonomous Sputnik LED warning light with two operating modes:

-Autonomous mode: The rechargeable batteries of the light provide two hours of operation with no need cables.

-Cigarette plug mode: Permits the light operation simultaneously charges its batteries.

LM330 Sputnik

Sputnik LED warning light with one operating mode:

-Cigarette plug mode: Direct power supply to the vehicle battery.

Technical specifications

Voltage:	12V
Average consumed in:	
-Operation:	1.5Amp to 12VDC
-Batteries charge:	1 Amp to 12VDC
-Batteries maintenance:	0.04 Amp to 12VDC
Rechargeable batteries autonomy:	2 hours
Charge batteries time:	3 hours
LM300 power supply:	Rechargeable batteries and cigarette plug
LM330 power supply:	Cigarette plug
LM300 light weight (with batteries):	900 gr
LM330 light weight (without batteries):	620 gr
LM300 dimensions:	140 mm diameter x 88.4 mm height

How to order

1. Select the LM300 Sputnik Series reference numbers from next list:

- 2002351** (1) LM300 Sputnik, autonomous LED warning light with batteries, 10 Sputnik LEDs, High-intensity, low-consumption, blue light, magnetic mount and cigarette plug, 12V. UN R65 Approval T Categoríe.
- 2002353** (1) LM300 Sputnik, autonomous LED warning light with batteries, 10 Sputnik LEDs, High-intensity, low-consumption, amber light, magnetic mount and cigarette plug, 12V.
- 2002352** (1) LM330 Sputnik, LED warning light, 10 Sputnik LEDs, High-intensity, low-consumption, blue light, magnetic mount and cigarette plug, 12V. UN R65 Approval T Categoríe.
- 2006027** (1) LM300-SFL, lamp failure sensor, LM300 and LM330 accessory.



Blue LM300 Spuntik



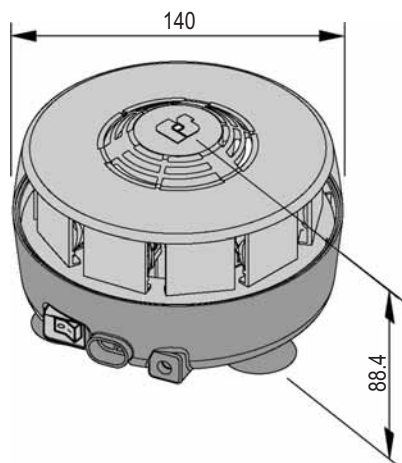
Amber LM300 Sputnik



Cigarette plug cable



Fixation metal plate



Serie LM300 Sputnik. Dimensions (mm)



An ISO 9001:2000 Certified Company
Dr. Ferrán, 7
08339 VILASSAR DE DALT
BARCELONA - SPAIN
Tel 34 93 741 79 32
Fax 34 93 750 78 23
Email: marketing@vama.es

www.fedsig.vama.es