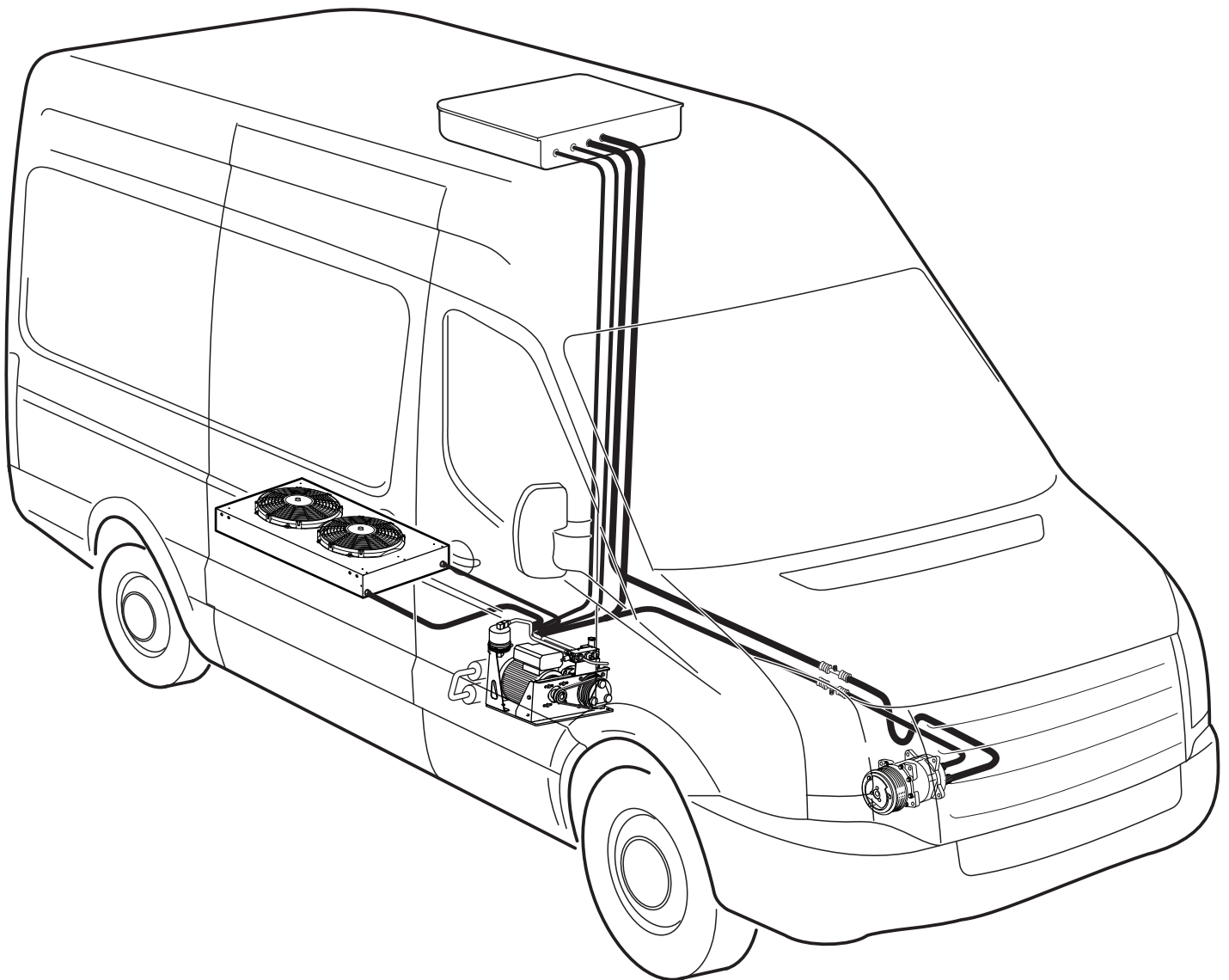
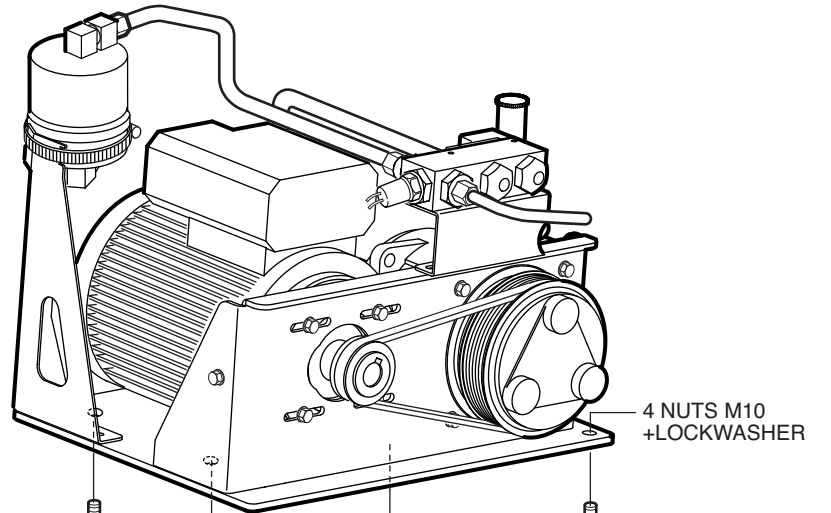
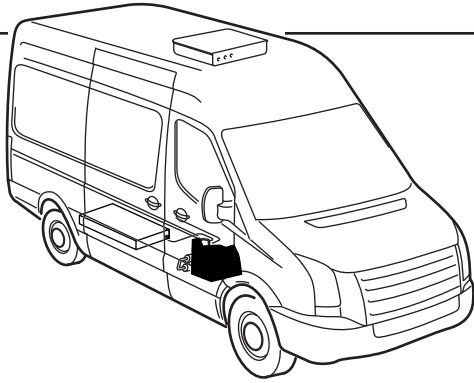




TRCSB-UNDER SEAT 2000 MER SPRINTER, VW CRAFTER

TRANSPORT REFRIGERATION UNDER SEAT CONDENSER 12V + SINGLE PHASE 230

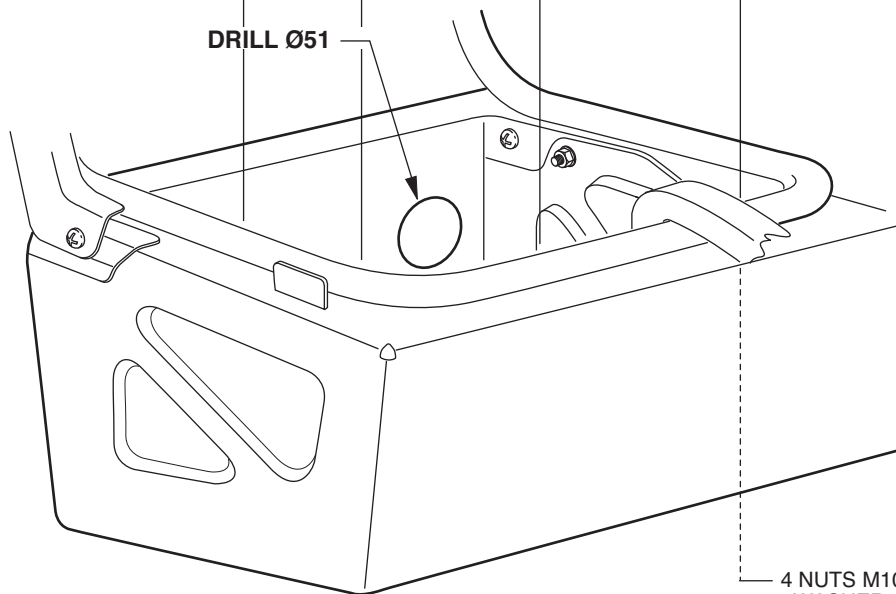




4 NUTS M10
+ LOCKWASHER

4 RUBBER
+ WITH STUD

DRILL Ø51



4 NUTS M10
+ WASHER
+ LOCKWASHER

