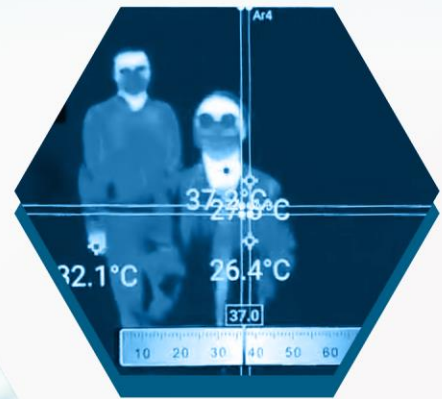


# Therm-App<sup>®</sup> MD

ANDROID-SUPPORTED THERMOGRAPHIC IMAGING DEVICE



CATCH IT BEFORE  
IT SPREADS



In 2003, OPGAL was the first on the market to employ thermal imaging cameras to measure the skin temperature of airline passengers passing through airport checkpoints located within SARS-affected regions.

People exhibiting elevated skin temperatures, which may indicate a fever, could then be isolated for further evaluation to determine the cause.

Similar quarantine procedures may help minimize the spread of the Coronavirus outbreak.

ThermApp MD is a vital tool for fever detection in high-risk areas.

Therm-App<sup>®</sup> MD  
more to see.



Uniquely calibrated to measure temperature differences on human skin.



Supported devices:  
Android 8 and up.

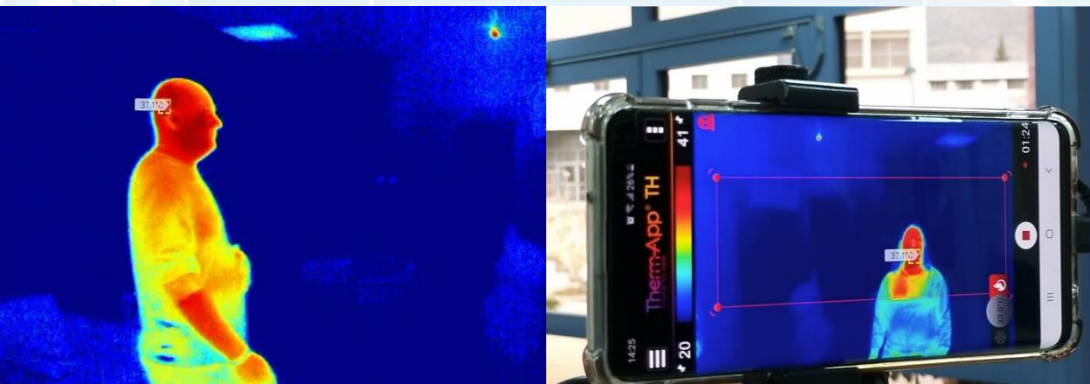


Supports ODROID devices for continuous function on an external power source.



Available in a 6.8mm and 19mm lens configuration.



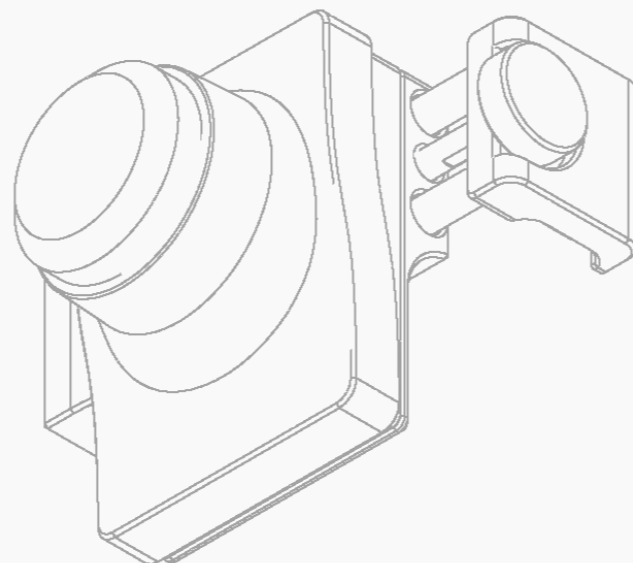


## KEY FEATURES

- Remote sensor; no crowd flow interference.
- Real-time operation; no individual measurements required.
- Several systems operating from a single command center.
- Adjustable temperature threshold set by operator.
- Blinking suspect image.
- Audio alarm warning.
- Standalone – no need for additional calibrating equipment.

Smartphone		Measurement	
Minimal Requirements	Android 8 and above, supporting USB OTG	Resolution	384 x 288 pixels (>110,000 pixels)
High Resolution Touchscreen	Yes *	Accuracy	+/- 1°C or 1% (@25°C)
		Sensitivity	NETD <0.07°C
		Temperature Range	0 – 200 °C
		NUC Calibration	Shutterless
Software		Hardware	
Measurement Tools	Center Spot Hot/cold threshold based pallets Manual and auto scale	Imager	384 x 288 microbolometer LWIR 7.5 - 14um
Measurement Settings	Emissivity, Reflected Temperature	Optics	6.8mm lens (55° x 41°). Optional lenses available.
Annotations	Text & Video Annotations	Focus	Manual, 0.2m to infinity
Output	Video & Audio (H.264), Snapshot (IR, VIS, Metadata)	Frame Rate	8.7Hz
Instant Share	Dropbox, Email, SMS	Weight	123 grams / 4.33 ounces
Android Share	Via media gallery	Size	55 x 65 x 40mm (2.16 x 2.55 x 1.57in)
Color Palettes	Rainbow, Iron, Vivid, Grey, Red Hot, Blue Cold, PSY, Lava, Green	Operating Temperature	-10°C to +50°C (14°F to +122°F)
Temperature Scale Range	Auto, Manual	Storage Temperature	-20°C to +60°C (-4°F to +140°F)
Zoom	Continuous digital zoom using touchscreen	Power Supply	No battery, 5V over USB OTG cable, power consumption < 0.5W
Feature updates	Yes (via Google Play)	Certifications	CE, FCC, RoHS
Maintenance	Bad pixel repair utility	Encapsulation	IP54
Quick access menu	One touch	Visible Camera	Typically 8 megapixels*
Analysis and reporting software	Professional PC software Files and folders Management Multiple image analysis tools Fast report generation MS Word templates	Mount/Handle	Ergonomic handle, using 1/4"-20 standard tripod mount
		Device Attachment	Clip-on for smartphone (5 -10cm span)

\* Smartphone dependent



ORDER HERE 

